

Timers

TMR15

77x35x77 mm



Countdown timer

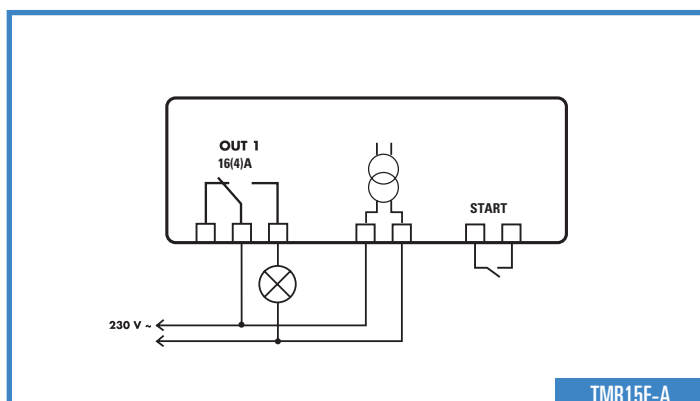
Main Features

- Panel timer
- Countdown in hours and minutes or minutes and seconds
- Manual start/stop of countdown
- Remote start of countdown
- Manual switching on/off of output
- Mains powered
- Buzzer to warn countdown end
- Keypad lock.

Applications

control of duration of industrial processes, control of dough retarders, control of cooking time in ovens.

Standard versions	Power supply	Buzzer
TMR15E	230Vac -10%, 3W	
TMR15E-A	230Vac -10%, 3W	✓
TMR15U	115Vac -10%, 3W	
TMR15U-A	115Vac -10%, 3W	✓
TMR15D	12Vac/dc -10%, 3W	
TMR15D-A	12Vac/dc -10%, 3W	✓



Technical Data

Outputs:	Out 16(4)A 240V~
Power supply:	230Vac ±10% 3W
Front protection:	IP55
Panel cut-out:	71x29 mm
Ambient temperature:	10 ÷ 50°C