

MS-27

71x97x61 MM

BARRA DIN



Multi-compressor or multi-fan controller

Main Features

- Four ON/OFF outputs for the control of single or multi-stage compressors or fans.
- Proportional output for speed control (inverters).
- Output with change-over contacts for alarm control.
- Input for pressure transmitter (0/4...20mA) or for a temperature probe (NTC10K).
- Two digital inputs on voltage free contact for programmable function, up to three digital optocoupled voltage inputs for a complete system diagnostics.
- Selection of the control algorithm: rotation of outputs, sequential activation, optimisation of the available power.
- Pressure – Temperature conversion according to gas used.
- Storage of the latest nine alarms
- Automatic maintenance management.
- 115Vac or 230Vac power supply by means of built-in transformer.
- Connections on screw terminals or quick connectors.
- DIN-Rail mount.
- Connection to supervisory PC.

Applications

for cryogenerators in supermarkets, cold stores and all cryogenic systems with variable demand.

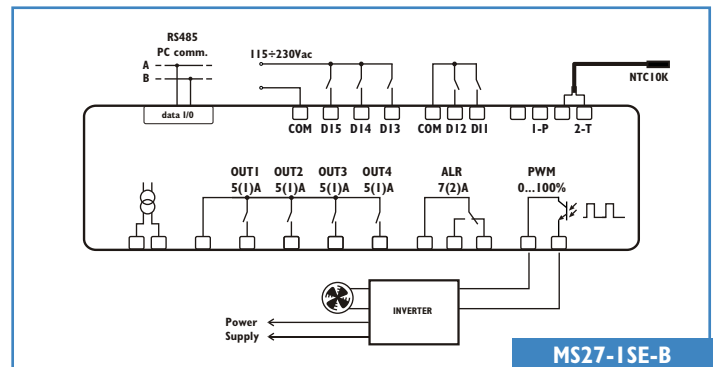
Technical Data

PRESSURE INPUT	TYPE:	0/4...20mA (LAE PGT35)
	RANGE:	-1.0...45.0BAR
	RESOLUTION:	0.1BAR
TEMPERATURE INPUT	ACCURACY:	±0.2BAR
	TYPE:	NTC10K (LAE SN4...)
	RANGE:	-50.0...120.0°C
POWER SUPPLY	RESOLUTION:	0.5°C
	ACCURACY:	±0.5°C
	MS27...E	230VAC±10%, 50/60Hz, 3W
RELAY OUTPUTS	MS27...U	115VAC±10%, 50/60Hz, 3W
	OUT1...OUT4	5(1)A
FRONT PROTECTION	ALARM	7(2)A
		IP55

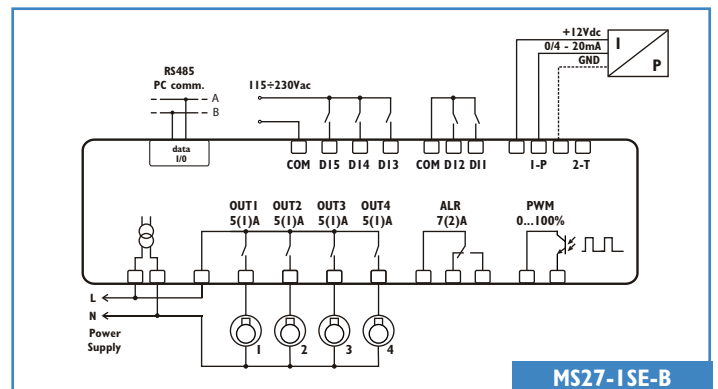
MS27 series

Functions	-1QE-B	-1SE-A	-1SU-B
Connections	Screw terminals	Quick on M/F terminals	
Power supply	230Vac		
	115Vac		
Serial port	TTL		
	RS485		

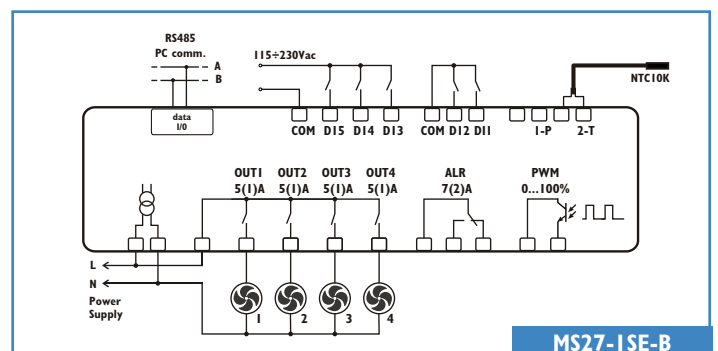
In order to know more options available for the models, please consult LAE or our local dealer.



MS27-ISE-B



MS27-ISE-B



MS27-ISE-B